

# Technical Information

No. FO 4035

Edition: 11/04 - subject to change

Substitutes: 02/02

Status: valid

Metal Halide Lamp

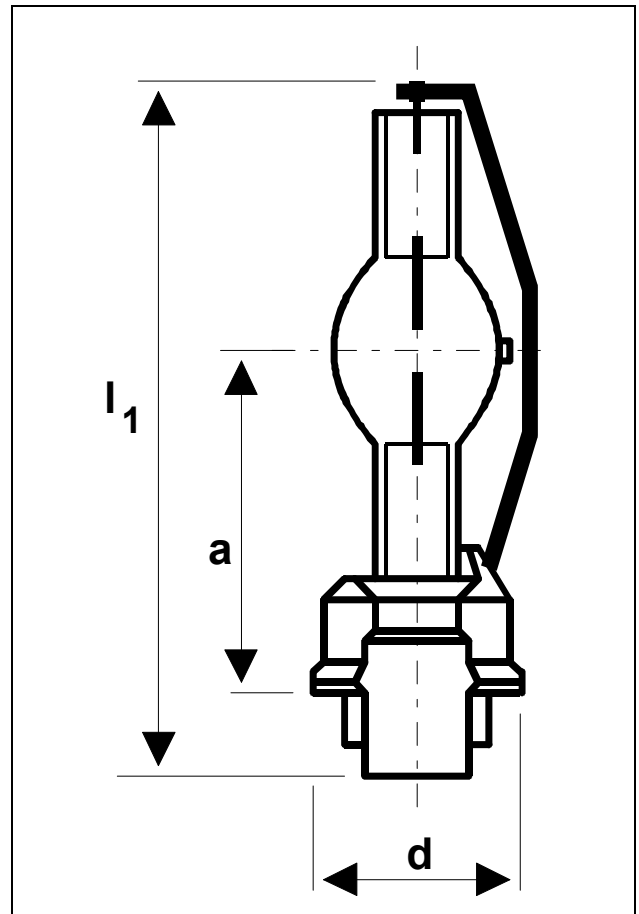
# HMI<sup>®</sup> 123

## ■ Product description

The OSRAM HMI<sup>®</sup> 123 is a single ended low wattage metal halide lamp without outer bulb. It is especially designed for square wave operation on electronic ballasts which allows the lamp to be run absolutely flickerfree. Due to its special compact design and the short arc length the HMI<sup>®</sup> 123 achieves a much higher luminance. It is mainly used in the electronic news gathering (ENG) and video projection field.

## ■ Technical data

Order reference		HMI <sup>®</sup> 123
Rated lamp wattage	W	125
Rated lamp voltage	V	80
Rated lamp current (square wave)	A	1.7
Ignition voltage (cold / hot)	kV <sub>s</sub>	5 / 18 (max. 25)
Luminous flux	lm	8,500
Luminous efficacy	lm/W	68
Color temperature	K	5,600
Color rendering index	Ra	> 90
Light arc length	mm	4
Lamp length (overall) $l_1$	mm	max. 65
Bulb diameter $d$	mm	19.6
LCL $a$	mm	27.7
Average service life	h	150
Base		Gx13-2x0.8 /



## ■ Lamp operation

Maximum permissible pinch seal temperature	°C	350
--	----	-----

Cooling	Convection
---------	------------

Burning position	any
------------------	-----

The HMI<sup>®</sup> 123 is optimized for the use on electronic power supplies (ECG).

## ■ Manufacturers of igniters and control gear (not all officially approved by OSRAM)

Igniters: Mitronic ZG 125; Walker SA-123-i1; Gossen ZG 0, ZG 1

ECGs: Gossen C 38, AC 125; Kobold Licht NE 123; Mitronic BE 125; Sachtler Netronic 125; Walker HMI 123; Schiederwerk EVG 2-12

Further information on operating and control gears requirements is available with the OSRAM brochure "Guidelines for Control Gear and Igniters - Metal Halide Lamps Photo Optic", order reference 123T01E.