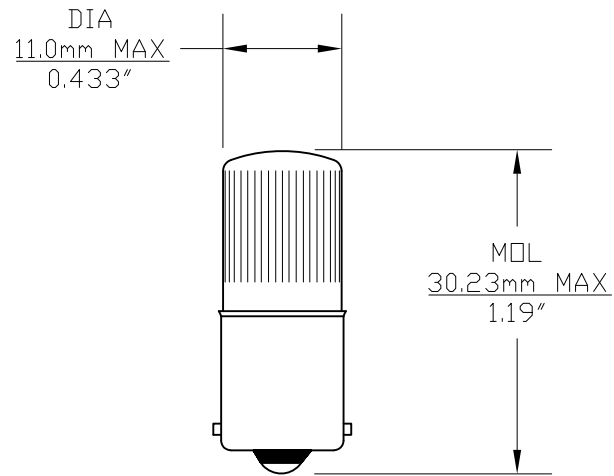


PART NO.	BASE TYPE	CIRCUIT VOLTS	AMPS	NOMINAL WATTS	SERIES RESISTANCE (OHMS)	AVERAGE LIFE HOURS
B1A (NE-51)	MINIATURE BAYONET BA9s	105/125	0.3mA ±10%	1/25	220K	15,000

REVISIONS			
REV	DESCRIPTION	DATE	APPROVED
1	ISSUED	09/02/2003	A.S.
2	REDRAWN, SPEC. AND ADDRESS UPDATE	10/03/2012	D.C.



UNLESS OTHERWISE SPECIFIED: DIMENSIONS ARE IN INCHES TOLERANCES		CEC INDUSTRIES LTD			
		599 BOND STREET		LINDOLNSHIRE IL 60069	
		TITLE			
		NEON GLOW INDICATOR LAMP B1A (NE-51)			
DRAWN A.S.	DATE 09/02/2003	SIZE A	FSCM NO.	DWG NO. B1A	REV 2
CHECKED		SCALE	PLOT SCALE	SHEET 1 OF 1	
DESIGN		FILE B1A.dwg		DO NOT SCALE DRAWING	