



PM-3X32T8-UNV-IS-H

CERTIFIED GREEN

PowerMaster™ T8 Ballast



PRODUCT FEATURES

STARTING METHOD: Instant	INPUT VOLTAGE: 120-277VAC ± 10%	POWER FACTOR: High	WARRANTY: 5 Years
LAMP CONNECTION: Parallel	INPUT FREQUENCY: 50/60 Hz	BALLAST FACTOR: High	

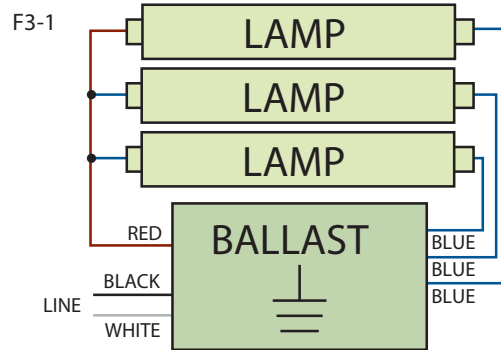
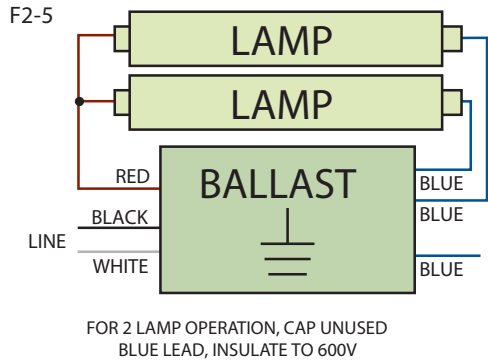
- Sound Rated: A
- Minimum Starting Temperature: 0°F, -18°C
- Maximum Case Temperature: 167°F, 75°C
- Meets FCC Part 18 (Class A) Non-Consumer Limits
- Transient Protection Meets ANSI/IEEE C62.41 Cat. A
- Ballast frequency for all listed lamps: > 40kHz

ELECTRICAL SPECIFICATIONS

LAMP TYPE	NO. OF LAMPS	INPUT VOLTS	INPUT WATTS	INPUT CURRENT (AMPS)	POWER FACTOR	CREST FACTOR	BALLAST FACTOR	BALLAST EFFICACY FACTOR	MAX THD%	WIRING DIAGRAM
F32T8 32W	3	120	111.0	0.98	0.99	<1.70	1.18	1.08	10	F3-1
		277	108.0	0.42	.099	<1.70	1.18	1.11	10	F3-1
	2	120	83.0	0.71	0.99	<1.70	1.27	1.53	10	F2-5
		277	81.0	0.32	0.98	<1.70	1.27	1.57	10	F2-5
F32T8 30W	3	120	104.0	0.88	0.99	<1.70	1.18	1.13	10	F3-1
		277	101.0	0.38	0.98	<1.70	1.18	1.17	10	F3-1
	2	120	78.0	0.66	0.99	<1.70	1.28	1.64	10	F2-5
		277	76.0	0.29	0.98	<1.70	1.28	1.68	10	F2-5
F32T8 28W	3	120	95.0	0.86	0.99	<1.70	1.18	1.24	10	F3-1
		277	92.0	0.38	0.98	<1.70	1.18	1.28	10	F3-1
	2	120	71.0	0.65	0.99	<1.70	1.28	1.80	10	F2-5
		277	69.0	0.28	0.98	<1.70	1.28	1.86	10	F2-5
F32T8 25W	3	120	87.0	0.80	0.99	<1.70	1.18	1.36	10	F3-1
		277	85.0	0.35	0.98	<1.70	1.18	1.39	10	F3-1
	2	120	66.0	0.61	0.99	<1.70	1.28	1.94	10	F2-5
		277	65.0	0.27	0.98	<1.70	1.28	1.97	10	F2-5
F25T8 25W	3	120	83.0	0.75	0.99	<1.70	1.16	1.40	10	F3-1
		277	81.0	0.33	0.98	<1.70	1.16	1.43	10	F3-1
	2	120	63.0	0.57	0.99	<1.70	1.23	1.95	10	F2-5
		277	64.0	0.24	0.97	<1.70	1.25	1.95	12	F2-5
F17T8 17W	3	120	60.0	0.54	0.99	<1.70	1.19	1.98	10	F3-1
		277	58.0	.024	0.97	<1.70	1.19	2.05	12	F3-1
	2	120	45.0	0.41	0.99	<1.70	1.20	2.67	10	F2-5
		277	46.0	0.19	0.95	<1.70	1.33	2.89	15	F2-5
F40T8 40W	2	120	101.0	0.83	0.99	<1.70	1.26	1.25	10	F3-1
		277	101.0	0.37	0.98	<1.70	1.26	1.25	10	F3-1

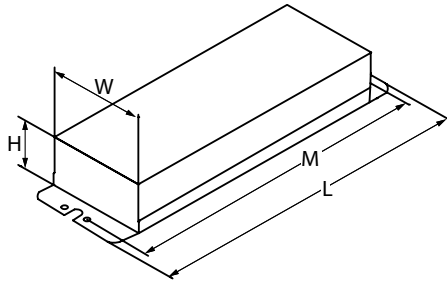
PowerMaster™

WIRING DIAGRAMS



Instant Start
T8 ballasts
require the
use of shunted
lampholders/
sockets.

CASE STYLE/DIMENSIONS



CASE DIMENSIONS

LENGTH: 9.50"
WIDTH: 1.70"
HEIGHT: 1.18"
MOUNTING: 8.90"
UNIT WEIGHT: 1.15 lbs.

STANDARD LEAD LENGTHS*

BLACK: 20.00"
WHITE: 20.00"
BLUE: 31.00" X 31.00" X 31.00"
RED: 48.00"

*Consult EiKO for special lead length requirements.

HOT SPOT LOCATION

