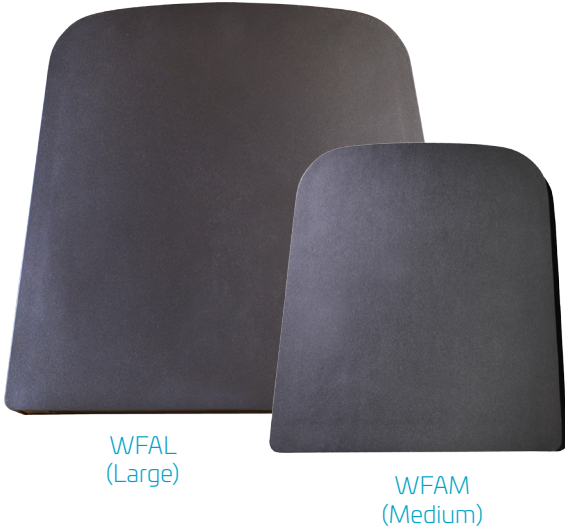


# WFA : LED Wallpack, Flood Arch



project name	type
catalog number	
comments	voltage
approved by	date

22/  
40/87  
watts

1910/  
3158/7152  
lumens

convertible  
to flood

two  
housing  
sizes

## Features

- Highly adaptable mounting options provides ultimate versatility
- Can mount to wall, inverted, flood, bollard, or low-level lighting
- Contemporary smooth vertical body architectural styling
- Progressive two piece aluminum diecast construction
- Offered in medium and large housing configurations
- Full cutoff – Night Sky Friendly
- UV stabilized TGIC carbon bronze powder coat finish
- High-impact resistant tempered glass lens
- Stainless steel hardware
- 5 year limited warranty

## Performance

- Latest generation of LED chips delivers similar light output as 70-400W HID while using only 1/3 the energy
- LED mirrored reflector provides forward throw optical performance
- +70 CRI
- Universal 120~277V, 60 Hz
- Ambient temperature range: -40°F to 104°F (-40°C to 40°C)
- UL & CUL listed for wet locations
- WFAM– 22W=1910lm  
40W=3158lm
- WFAL– 87W=7152lm

## Applications

- Architectural building façade/canopy
- Entryways
- Loading Docks
- Pathway / stairways
- Industrial parks
- Multi-use facilities
- Perimeter parking areas
- Storage Areas
- Schools
- Apartment complexes

## Ordering Information

Order Code	Item #	Lm	W	CCT	CRI	MOL	Life/Hrs	Size	Replaces HID	DLC v4.1
<b>08597</b>	<b>WFAM-1C-U</b>	1,910	22W	5000K	70+	8"	50K	Medium	70-150W	✓
<b>08598</b>	<b>WFAM-2C-U</b>	3,158	40W	5000K	70+	8"	50K	Medium	175-250W	
<b>08599</b>	<b>WFAL-3C-U</b>	7,970	83W	5000K	70+	12.8"	50K	Large	400W	

✓ DesignLights Consortium® v4.1 Standard Qualified

### Adder: WFAM (sold separately)

Order Code	Item #	Description
<b>08738</b>	<b>PCB1</b>	Photocontrol, Button Type 120V
<b>08739</b>	<b>PCB2</b>	Photocontrol, Button Type 277V
<b>08703</b>	<b>WFAM-SF</b>	Slipfitter 2-3/8" and Junction Box
<b>08704</b>	<b>WFAM-KN</b>	Knuckle 1/2" and Junction Box
<b>08705</b>	<b>WFAM-UT</b>	U Bracket Trunnion and Junction Box
<b>08867</b>	<b>LP1020-36-C0480</b>	Replacement Driver for WFAM-1C-U
<b>08863</b>	<b>LP1040-36-C0950</b>	Replacement Driver for WFAM-2C-U

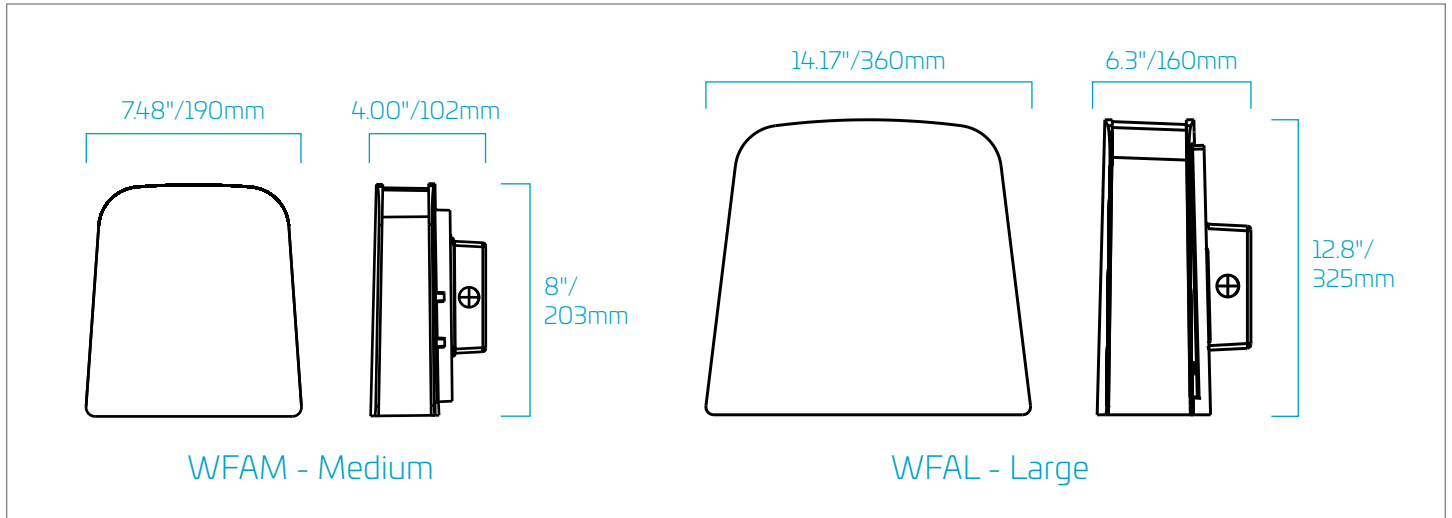
### Adder: WFAL (sold separately)

Order Code	Item #	Description
<b>08738</b>	<b>PCB1</b>	Photocontrol, Button Type 120V
<b>08739</b>	<b>PCB2</b>	Photocontrol, Button Type 277V
<b>08706</b>	<b>WFAL-SF</b>	Slipfitter 2-3/8" and Junction Box
<b>08707</b>	<b>WFAL-UT</b>	U Bracket Trunnion and Junction Box



WFA : LED Wallpack, Flood Arch

Dimensions



Available Accessories (sold separately)



watch > like > follow



